

13mm INDUCTIVE SPEED HIGH TEMPERATURE 180 °C



Inductive sensors give a voltage output when subjected to a changing magnetic field. The field is set up by a magnet inside the sensor body and changes when ferromagnetic teeth are passed beneath the sensor (no magnets are required in the target). The voltage increases with increasing speed and with a reduction of the gap between the sensor and the target. The sensors are suitable for use with interfaces that trigger on threshold or zero crossing. Three different body styles are available: 1) totally closed; 2) eddy current reduction slot for increased sensitivity; 3) exposed core and eddy current reduction slot for maximum sensitivity.

Please request our installation datasheet for further details.

Electrical

- Resistance 1000 to 1200 ohm
- Cut-in speed is shown in the order details
- Cut-in speed is defined as the speed to achieve 400mV pk-pk @ 0.8mm air gap, with a 120mm diameter target wheel (3kohm load and no load values are given)
- Output polarity follows tooth form, that is a rising metal edge on the wheel generates a rising voltage output from the sensor

Cable and Connection Definition

- 22 AWG un-screened cable
- Cable length is shown on the order details but any length is available on request
- Various automotive and military standard connectors are available

• Connection				
	White wire	Pin A	Pin 1	Signal +
	Black wire	Pin B	Pin 2	Signal -

Application

- Cam shaft, crank shaft and gear speed and position sensing. Wheel speed sensing.

Mechanical

- Air gap 1.0mm (max), 0.8mm (nominal)
- Body diameter 13mm
- Weight (including cable) is shown in the order details
- Aluminium alloy body, hard anodised and dyed black
- Polyester cable boss or elastomer boot for strain relief to the sensor body
- Sensor is axi-symmetric, special orientation is not required

Design and manufacture is in-house, so if our existing designs do not suit your application, we can provide cost effective customised parts to suit even the most demanding application. No engineering charges are made for simple modifications such as customer specific connectors, cable protection and cable lengths. Please contact our technical consultancy service who will be pleased to help.

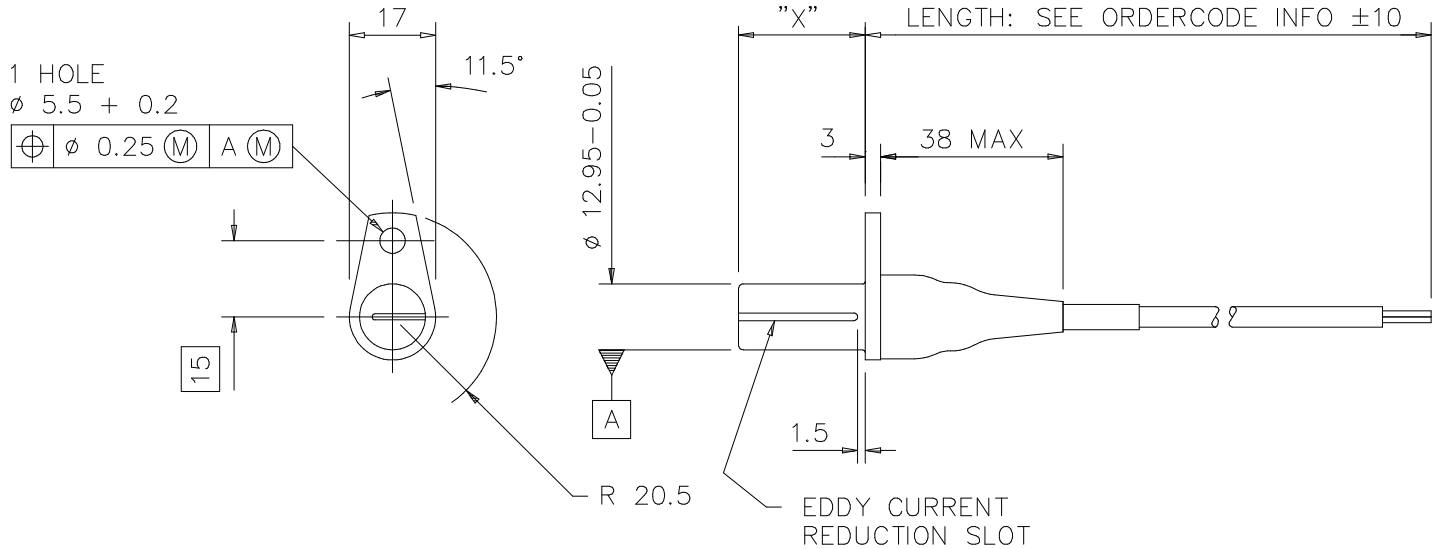
Environmental

- Vibration 50 to 2500Hz @ 40g 8hrs per axis
- Resistant to standard motorsport fluids
- Maximum humidity 100%
- Minimum operating temperature -10°C
- Maximum operating temperature

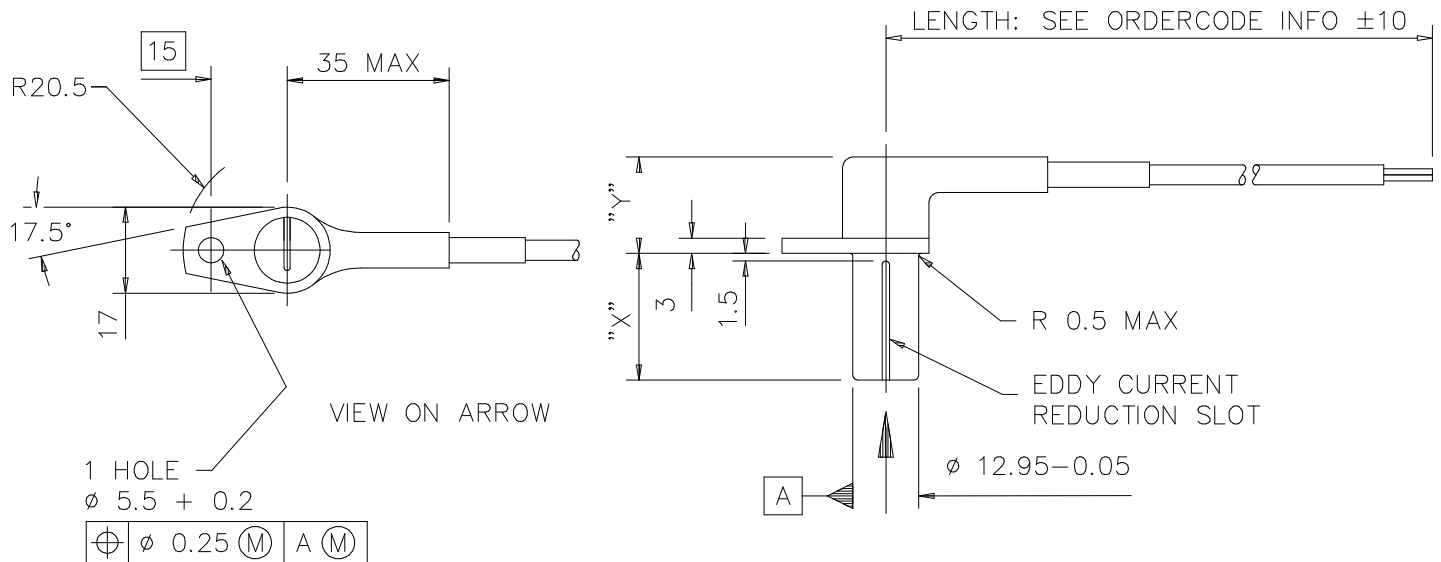
Sensor	180°C
Cable	200°C
- Viton jacketed cable
- Aluminium alloy body, hard anodised and dyed black

24/08/06

13mm INDUCTIVE SPEED HIGH TEMPERATURE 180°C



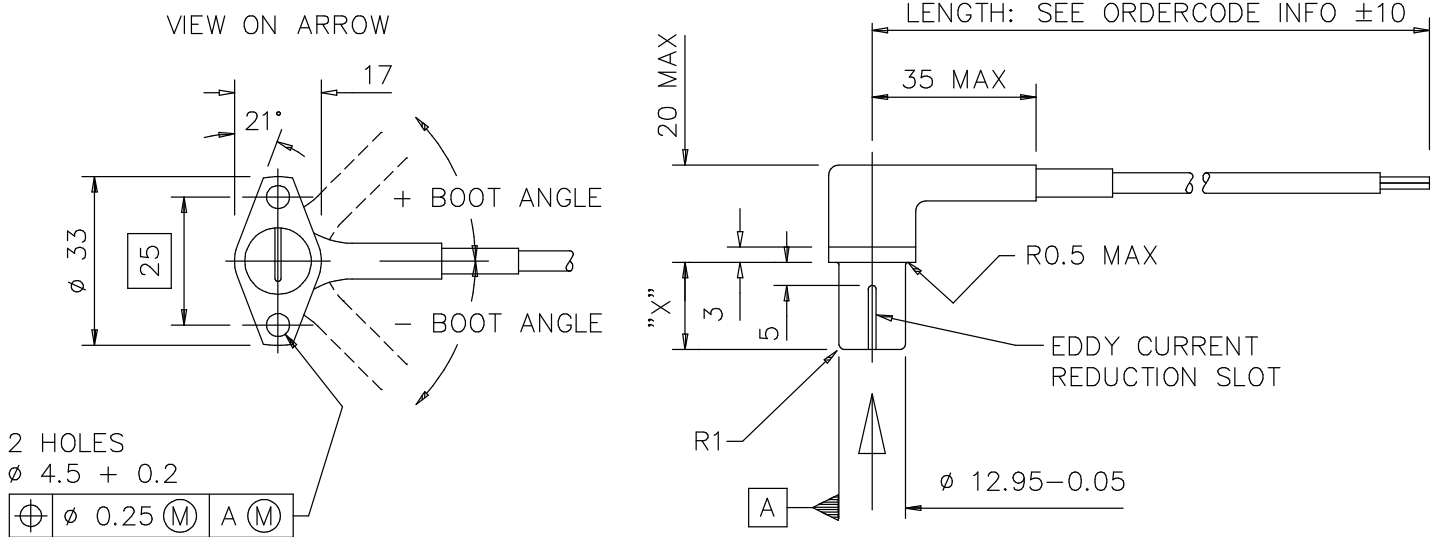
Cable Length	Dim "X"	Body Type	Cut-In Speed		Weight	Order Code
			3kohm Load	No Load		
500mm	23mm	Slotted	57rpm	41rpm	45g	O 030 350 001 003
550mm	41.5mm	Slotted	69rpm	38rpm	65g	O 030 350 001 057



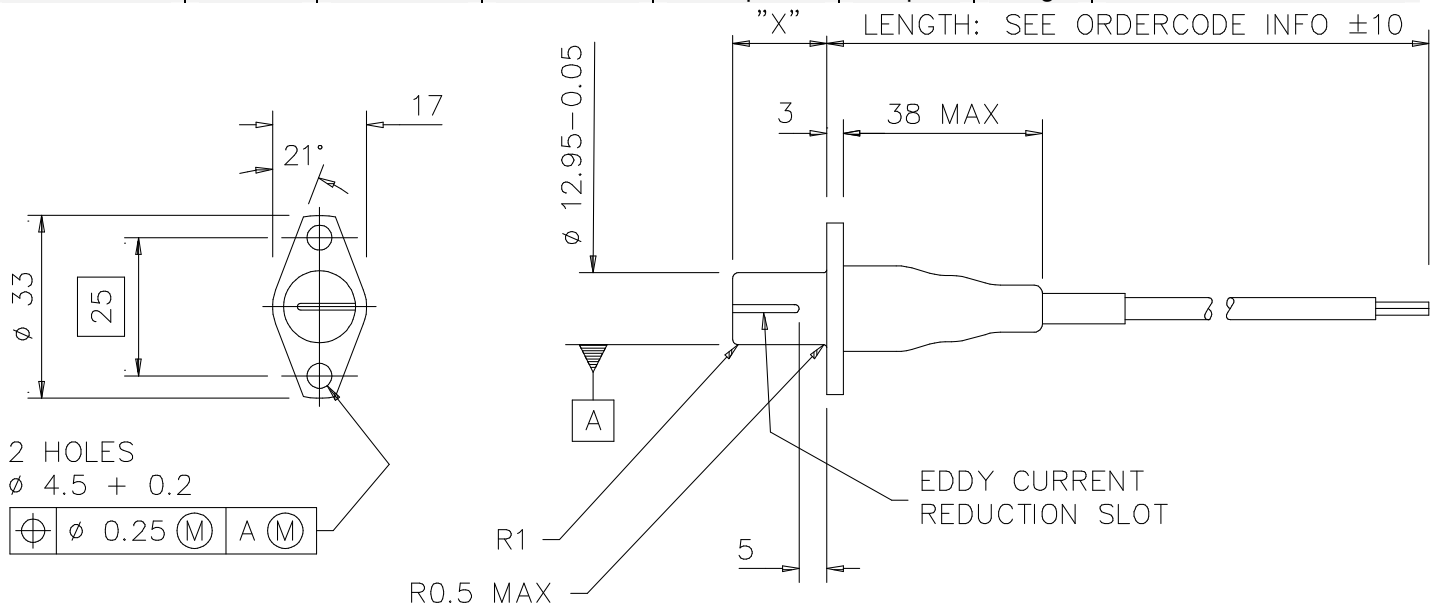
Cable Length	Dim "X"	Dim "Y"	Body Type	Cut-In Speed		Weight	Order Code
				3kohm Load	No Load		
1000mm	25mm	20mm	Slotted	66rpm	50rpm	45g	O 030 350 001 006
500mm	56mm	20mm	Slotted	50rpm	35rpm	45g	O 030 350 001 030
1000mm	25mm	25mm	Slotted	66rpm	50rpm	45g	O 030 350 001 086

24/08/06

13mm INDUCTIVE SPEED HIGH TEMPERATURE 180°C



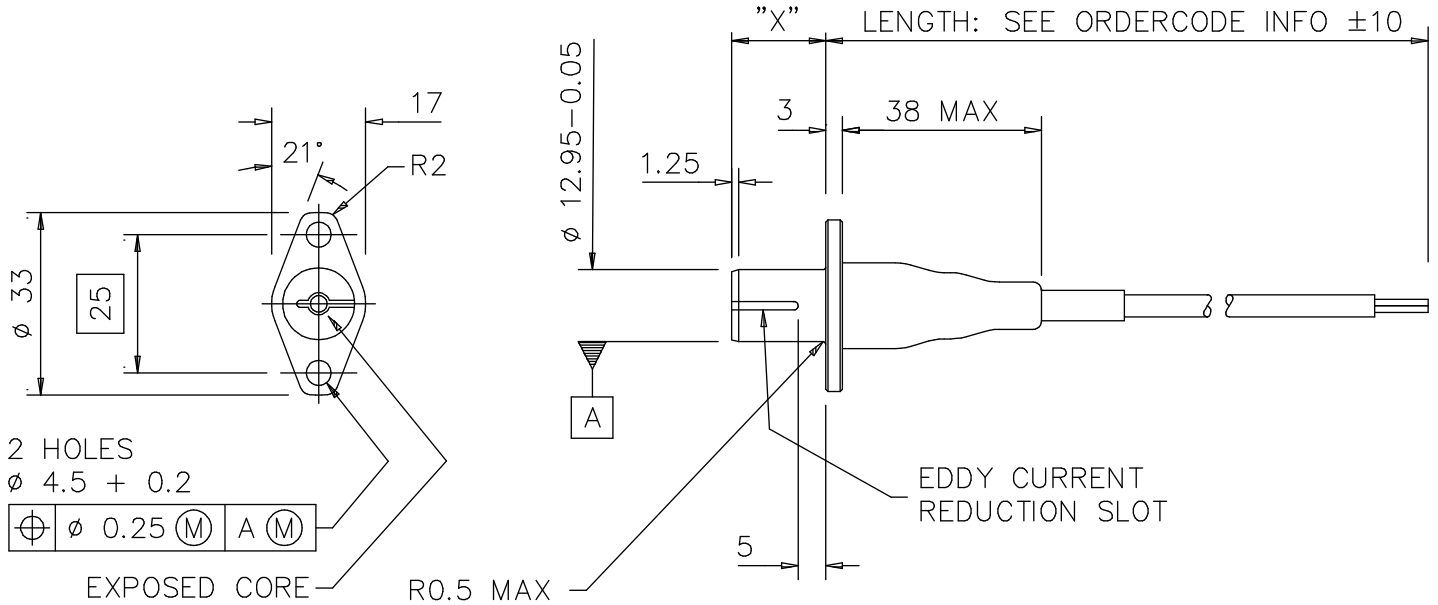
Cable Length	Dim "X"	Body Type	Boot Angle	Cut-In Speed		Weight	Order Code
				3kohm Load	No Load		
500mm	17mm	Slotted	0°	69rpm	38rpm	40g	O 030 350 001 008
1000mm	30mm	Slotted	0°	66rpm	50rpm	65g	O 030 350 001 010
500mm	88mm	Closed	0°	69rpm	38rpm	65g	O 030 350 001 080
500mm	17mm	Slotted	90°	69rpm	38rpm	40g	O 030 350 001 085
500mm	17mm	Closed	0°	69rpm	38rpm	45g	O 030 350 001 090



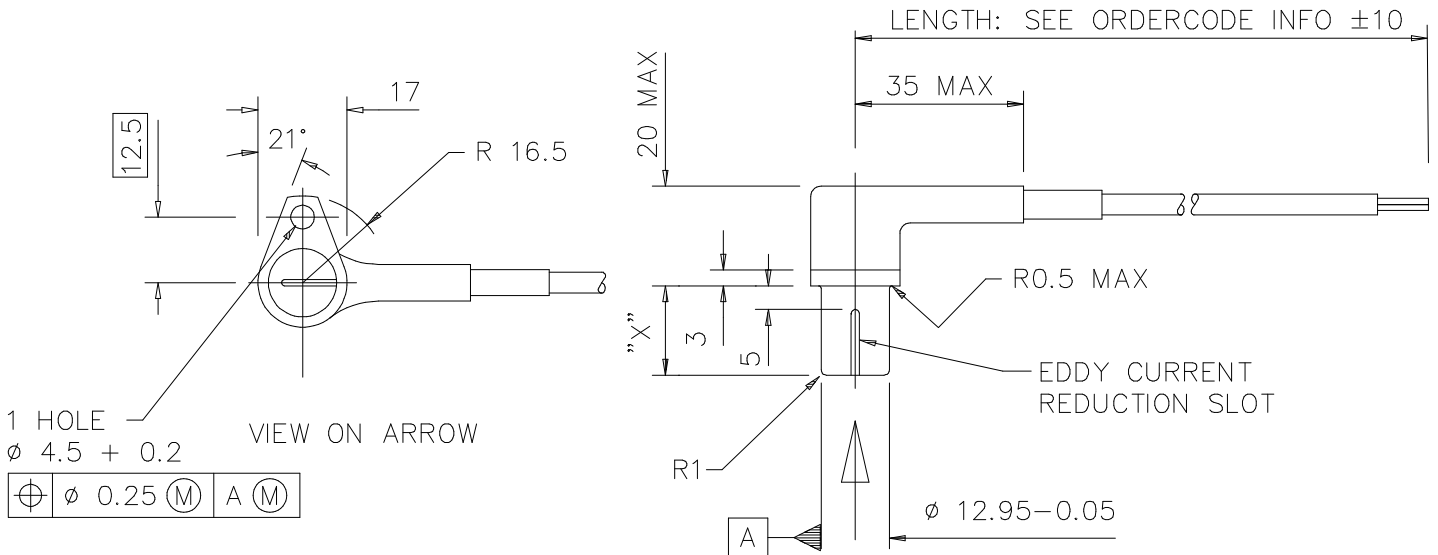
Cable Length	Dim "X"	Body Type	Cut-In Speed		Weight	Order Code
			3kohm Load	No Load		
500mm	17mm	Slotted	69rpm	38rpm	40g	O 030 350 001 012
1000mm	30mm	Slotted	66rpm	50rpm	60g	O 030 350 001 014

24/08/06

13mm INDUCTIVE SPEED HIGH TEMPERATURE 180°C



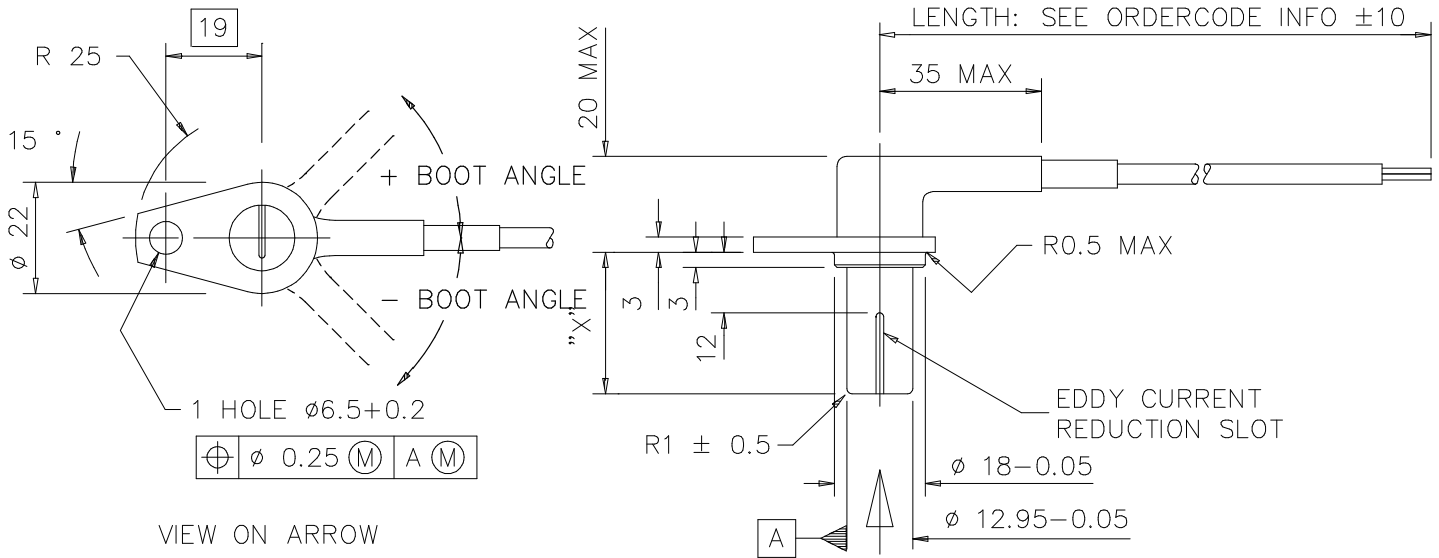
Cable Length	Dim "X"	Body Type	Cut-In Speed		Weight	Order Code
			3kohm Load	No Load		
700mm	17mm	Slotted	69rpm	38rpm	35g	O 030 350 001 018
700mm	17mm	Exposed	29rpm	21rpm	45g	O 030 350 001 055
1000mm	17mm	Closed	69rpm	38rpm	45g	O 030 350 001 093



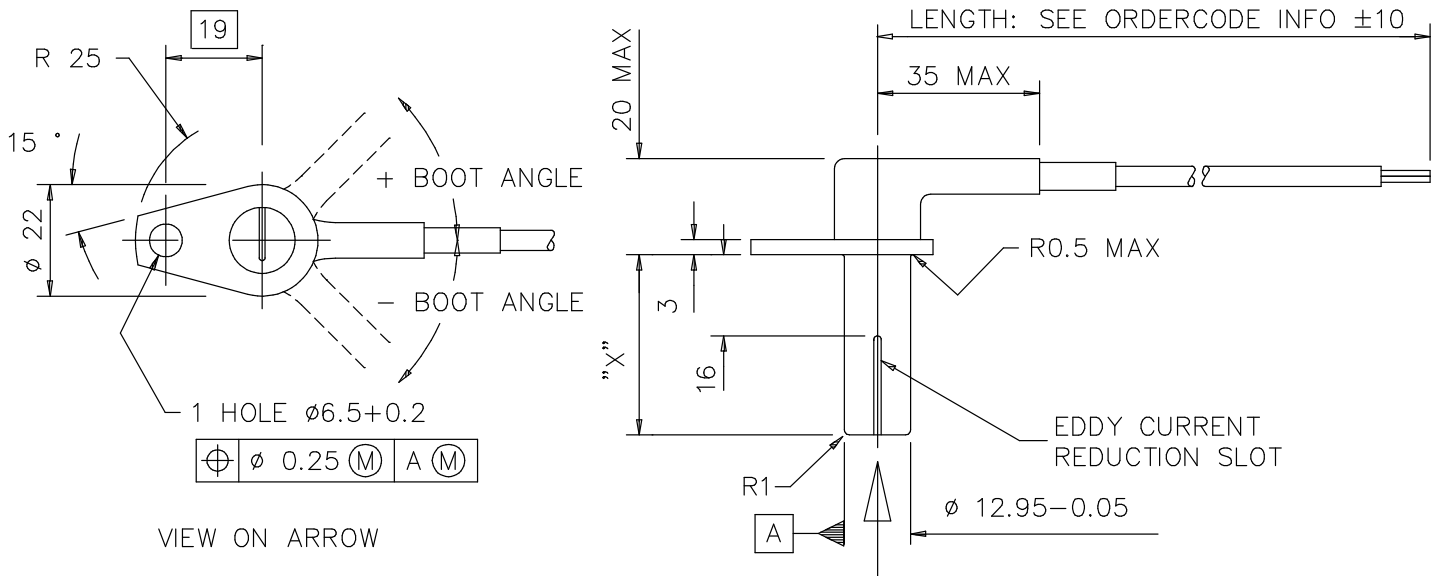
Cable Length	Dim "X"	Body Type	Cut-In Speed		Weight	Order Code
			3kohm Load	No Load		
1000mm	17mm	Slotted	69rpm	38rpm	35g	O 030 350 001 083
500mm	30mm	Slotted	66rpm	50rpm	65g	O 030 350 001 084

24/08/06

13mm INDUCTIVE SPEED HIGH TEMPERATURE 180°C



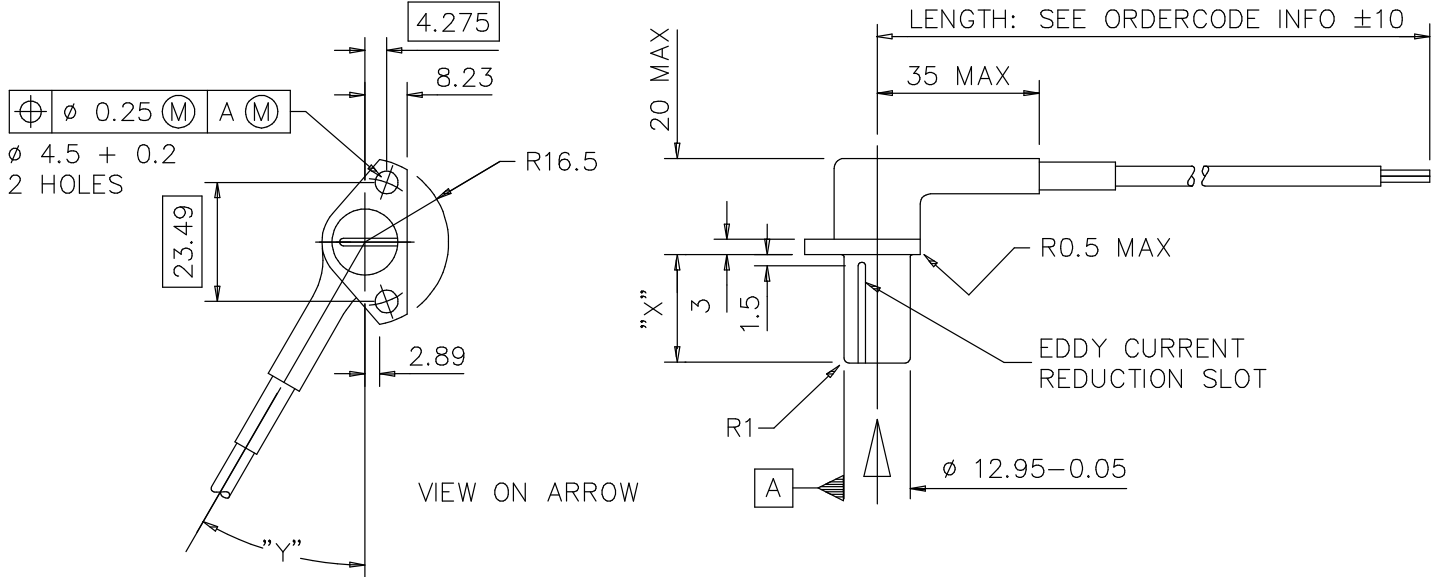
Cable Length	Dim "X"	Body Type	Boot Angle	Cut-In Speed		Weight	Order Code
				3kohm Load	No Load		
760mm	28mm	Slotted	-135°	66rpm	50rpm	60g	O 030 350 001 037



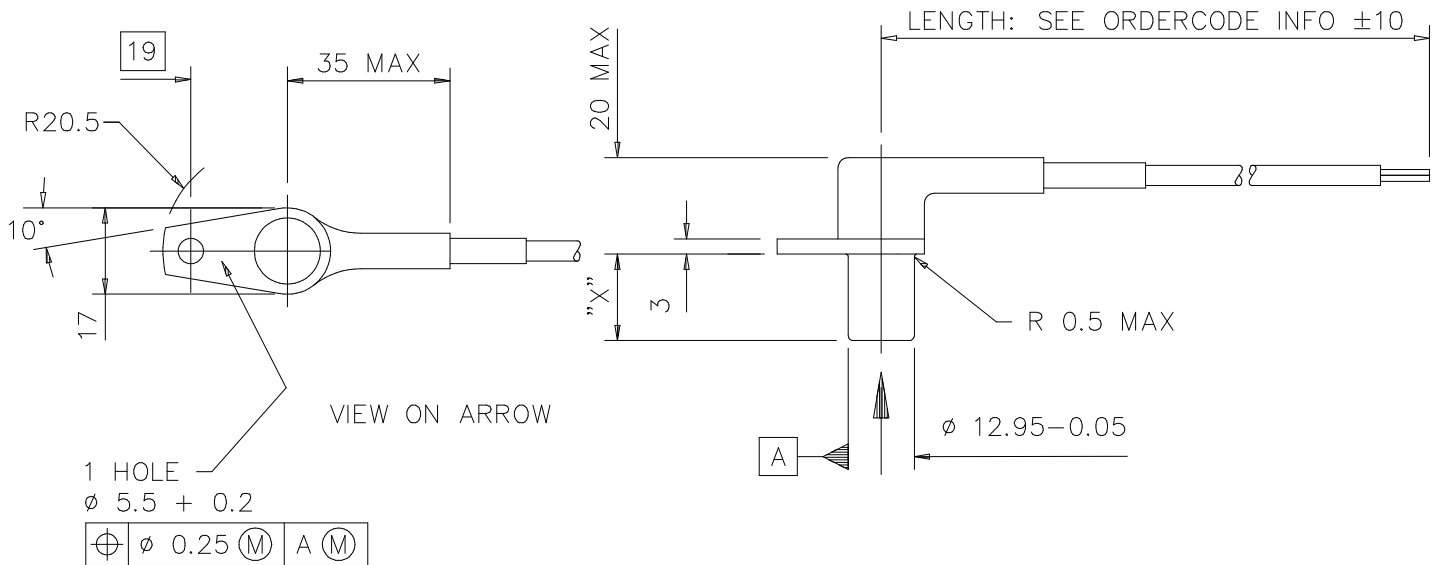
Cable Length	Dim "X"	Body Type	Boot Angle	Cut-In Speed		Weight	Order Code
				3kohm Load	No Load		
2000mm	41.5mm	Slotted	-90°	69rpm	38rpm	75g	O 030 350 001 068

24/08/06

13mm INDUCTIVE SPEED HIGH TEMPERATURE 180°C



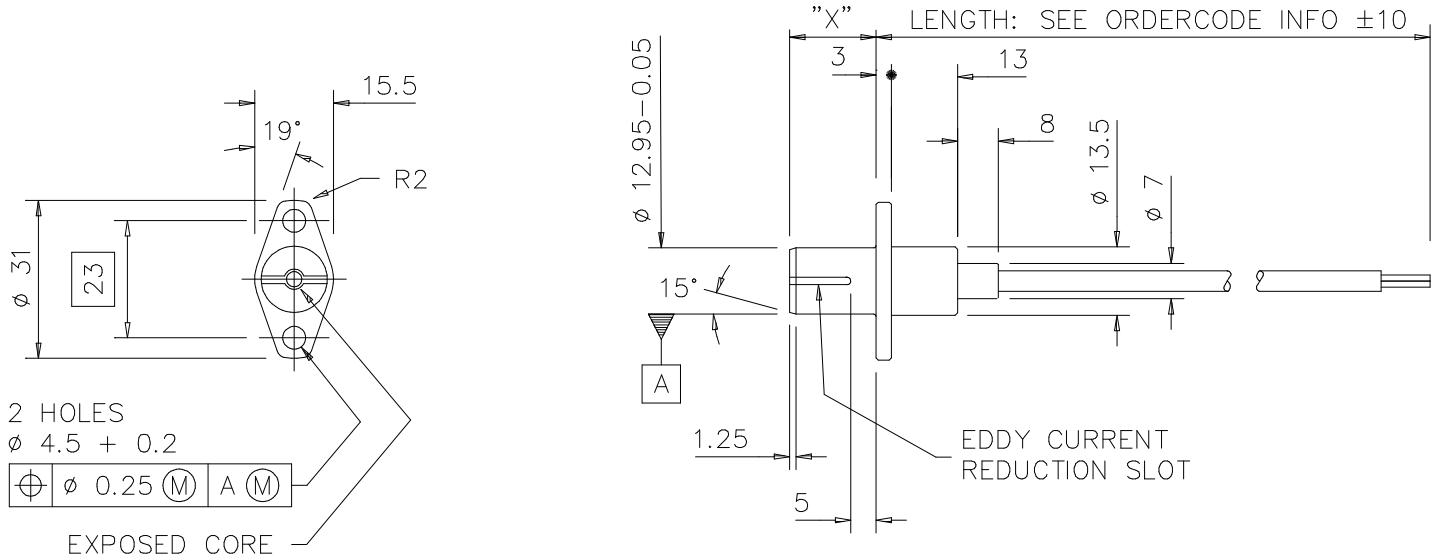
Cable Length	Dim "X"	Angle "Y"	Body Type	Cut-In Speed		Weight	Order Code
				3kohm Load	No Load		
500mm	21mm	30°	Slotted	63rpm	40rpm	45g	O 030 350 001 046
1000mm	30mm	167.5°	Slotted	63rpm	40rpm	60g	O 030 350 001 118



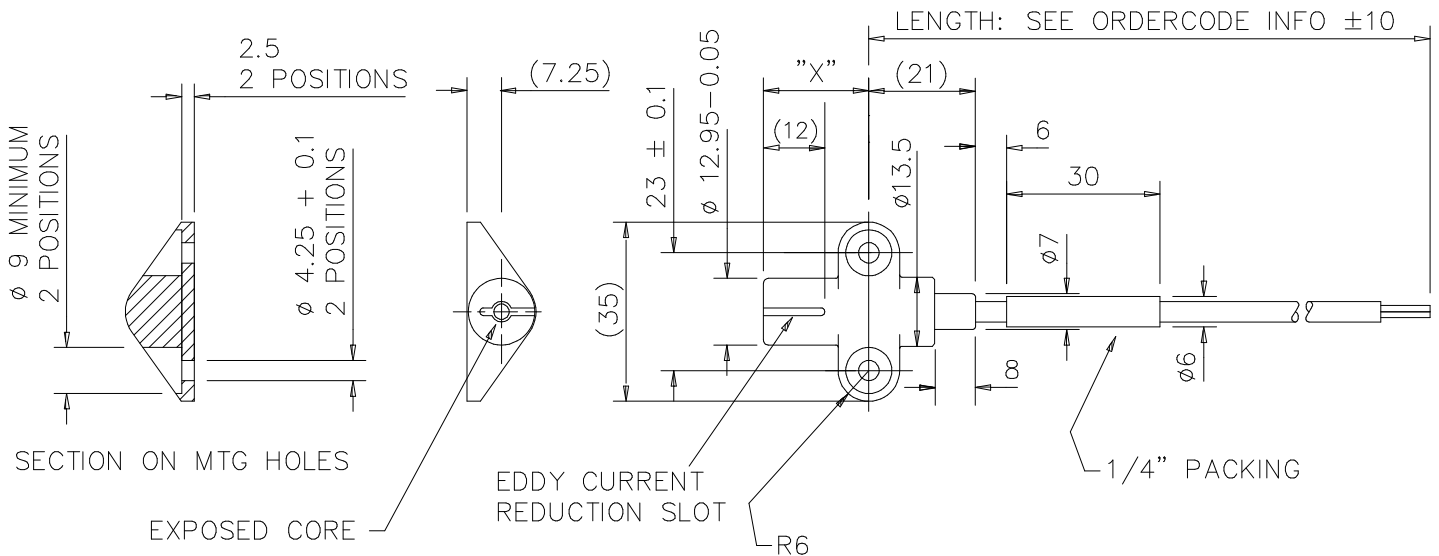
Cable Length	Dim "X"	Body Type	Cut-In Speed		Weight	Order Code
			3kohm Load	No Load		
1500mm	17mm	Closed	69rpm	38rpm	60g	O 030 350 001 056

24/08/06

13mm INDUCTIVE SPEED HIGH TEMPERATURE 180°C



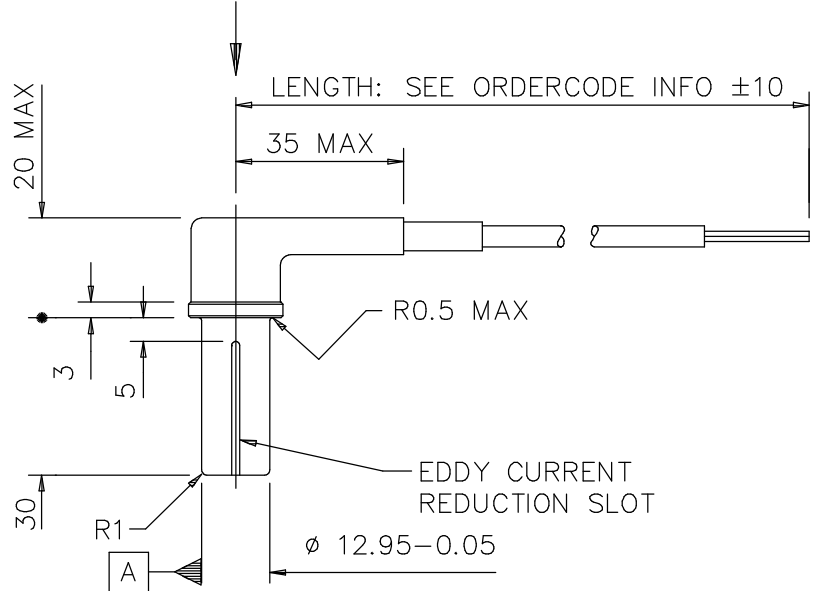
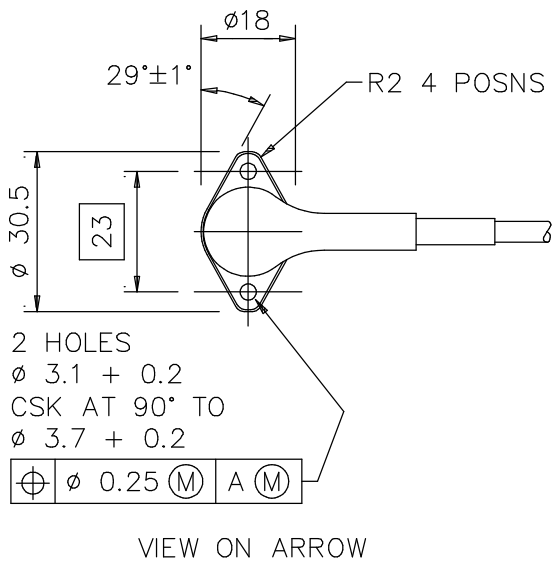
Cable Length	Dim "X"	Body Type	Cut-In Speed		Weight	Order Code
			3kohm Load	No Load		
700mm	17mm	Exposed	29rpm	18rpm	35g	O 030 350 001 081



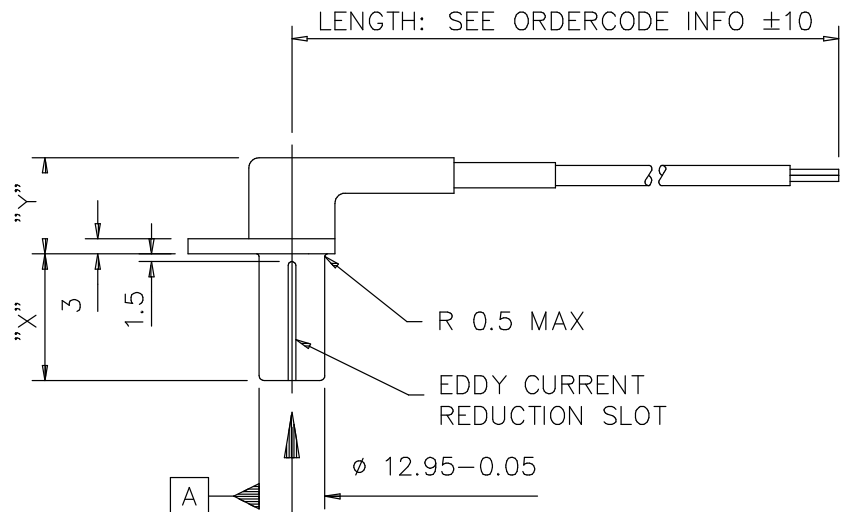
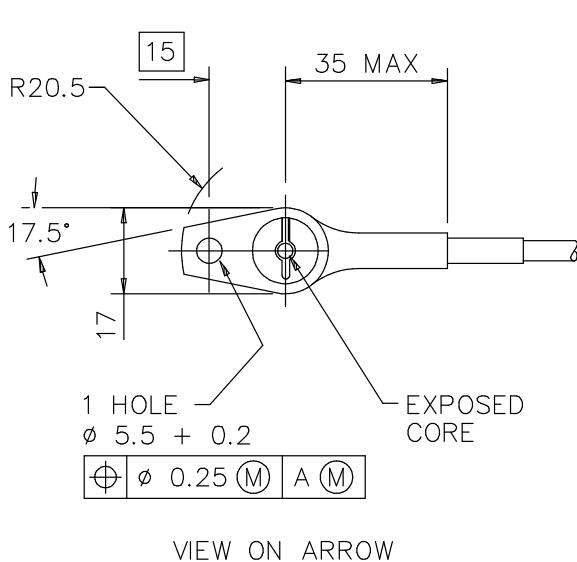
Cable Length	Dim "X"	Body Type	Cut-In Speed		Weight	Order Code
			3kohm Load	No Load		
1000mm	19.5mm	Exposed	69rpm	38rpm	50g	O 030 350 001 091

24/08/06

13mm INDUCTIVE SPEED HIGH TEMPERATURE 180°C



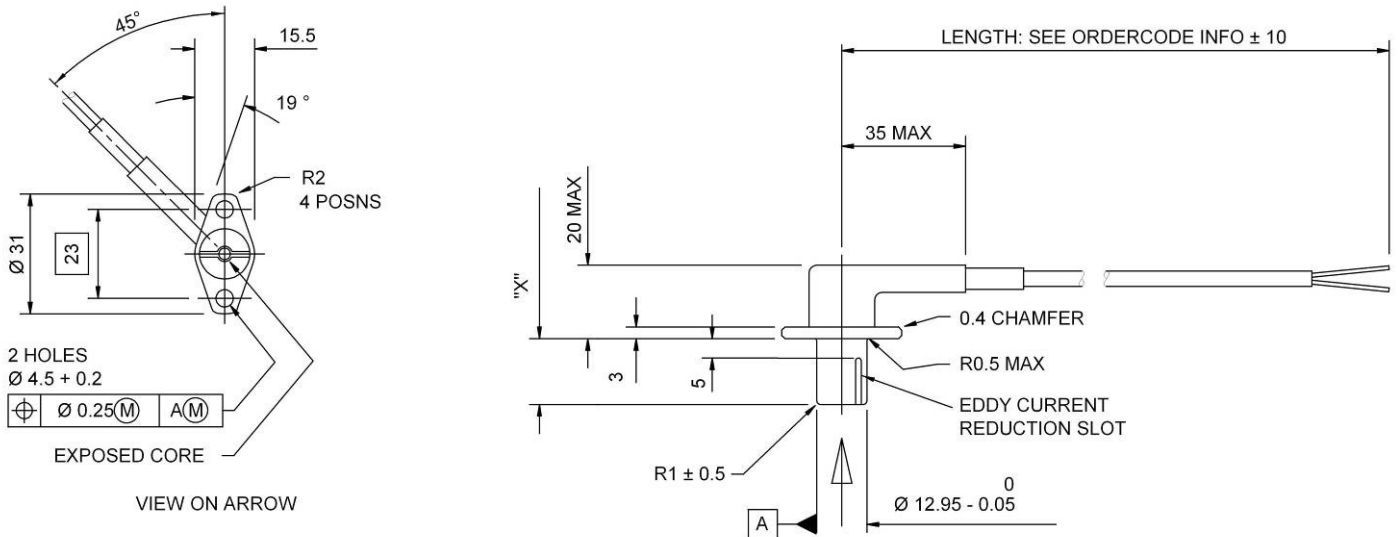
Cable Length	Body Type	Cut-In Speed		Weight	Order Code
		3kohm Load	No Load		
1500mm	Slotted	69rpm	38rpm	65g	O 030 350 001 113



Cable Length	Dim "X"	Dim "Y"	Body Type	Cut-In Speed		Weight	Order Code
				3kohm Load	No Load		
1000mm	25mm	20mm	Exposed	29rpm	21rpm	45g	O 030 350 001 119

24/08/06

13mm INDUCTIVE SPEED HIGH TEMPERATURE 180 °C



Cable Length	Dim "X"	Body Type	Cut-In Speed		Weight	Order Code
			3kohm Load	No Load		
1000mm	17mm	Exposed	29rpm	21rpm	45g	O 030 350 001 143

24/08/06